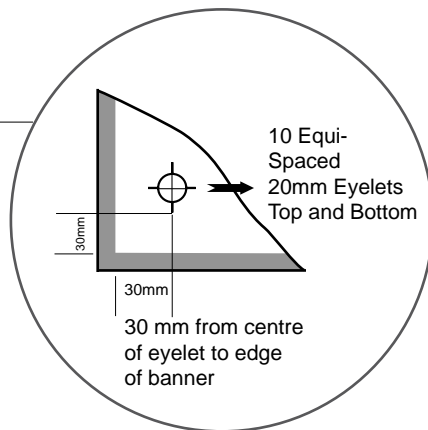
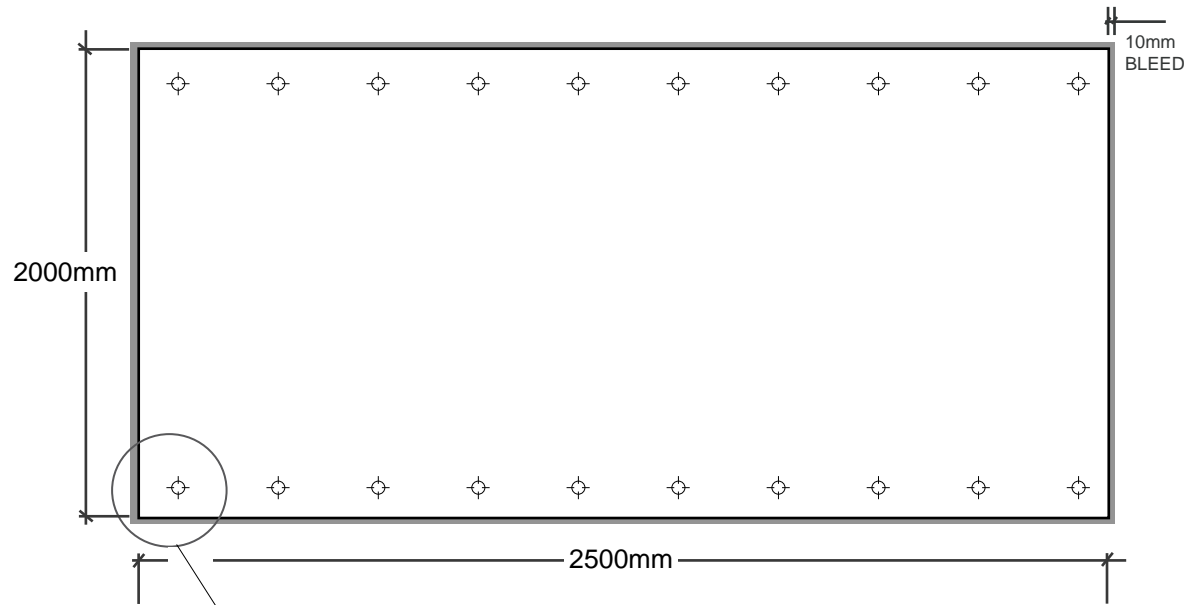


GRAPHIC SPECIFICATIONS FOR ALPINE



DOCUMENT SETUP: W2500mm x H2000mm + 10 BLEED ALL AROUND

Useful Tips for Artwork Setup and Finishing of the Alpine

- Do not place important information within 30 mm from the top and bottom edge of banner.
- 25 - 30 mm reinforced top and bottom edges. This is not necessary for left and right edges.
- Use 10 equi-spaced 20 mm eyelets for the top and bottom edges. Position eyelets 30mm from centre of eyelet to edge of banner accordingly.

